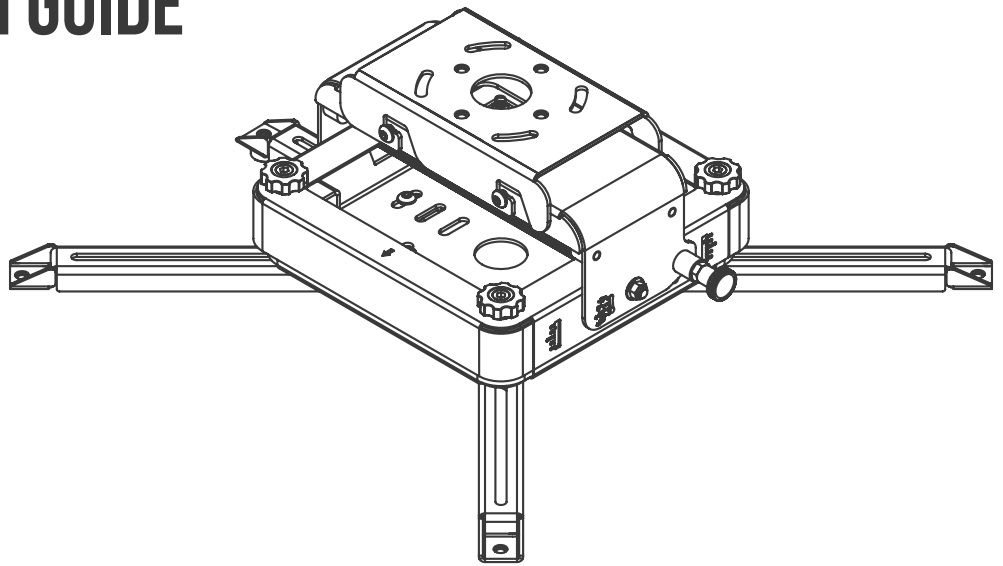


B-TECH AV MOUNTS®

BT893

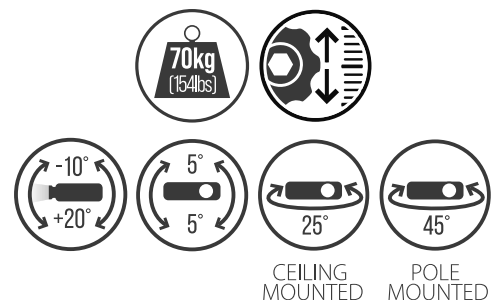
HEAVY DUTY PROJECTOR CEILING MOUNT WITH MICRO-ADJUSTMENT

INSTALLATION GUIDE



SPECIFICATIONS

- Ceiling mount designed for heavy duty projectors up to 70kg (154lbs)
- Can be mounted to the ceiling directly or to any B-Tech Ø50mm (2") pole
- Full range of adjustments:
 - Tilt (pitch):** +20°/-10° incremented adjustment
(additional +/-5° with micro-adjustment)
 - Roll:** +/-5° micro-adjustment
 - Yaw:** 25° (ceiling mounted) / 45° (pole mounted)
- Maximum distance (between fixings): 873mm (34.37")
- Ceiling drop: 153mm* (6.02") (+/-10mm with micro-adjustment)
*173mm (6.81") if extension legs are used
- Micro-adjustment thumbwheels at 4-points for a controlled and precise adjustment of the projector



CONTENTS

Installation Safety Notes.....	2
Parts List.....	4
Installation Instructions.....	6
Portrait Mounting.....	12
Typical Pole Installations.....	14
Product Dimensions.....	14
B-Tech Contact Details.....	16

INSTALLATION SAFETY INSTRUCTIONS



CAUTION: This mount is intended for use only with the maximum weights indicated. Use with equipment heavier than the maximum indicated may result in instability causing possible injury.

Do not attempt to install this product until all instructions and warnings have been read and properly understood.
Please keep these instructions for future reference.

Please check carefully to make sure there are no missing or defective parts - defective parts must never be used. B-Tech AV Mounts, its distributors and dealers are not liable or responsible for damage or injury caused by improper installation, improper use or failure to observe these safety instructions. In such cases, all guarantees will expire.

General

B-Tech AV Mounts recommends that a professional AV installer or other suitably qualified person install this product. Great care must always be taken during installation as most AV equipment is of a fragile nature, possibly heavy and easily damaged if dropped.

If you do not fully understand the instructions or are not sure how to install this product safely, then please consult a professional for advice and/or to install this product for you. Failure to mount this product correctly may cause serious injury or death, both during installation and at any time thereafter.

Do not mount any AV equipment that exceeds the specific weight limit of the product you are installing. This weight limit will be clearly stated on each product and its packaging and will vary from product to product.

Product location

Please pay careful attention to where this product is located. Check load capacity of the ceiling prior to installation as some surfaces are not suitable for installation. Designed for indoor use, this mount is suitable for public or home installation. If located in a public or frequently populated area ensure that the product is out of the immediate reach of people.

If any AV equipment is to be suspended over the likely path or location of people then great care should be taken to secure all parts of the installation from falling.

When drilling holes it is essential to avoid contact with electrical cables and water or gas pipes contained within. Use of a good quality live wire detector and hidden object locator is therefore recommended.

Only drill into structures when you are sure it is safe to do so.

Fixing hardware

It is highly recommended that all fixing screws be used where supplied and that the purpose of all other fixing hardware is fully understood. In some cases more AV equipment fixing hardware will be supplied to accommodate different models of equipment and set up configurations. The installer must be satisfied that any supplied fixing hardware is suitable for each specific installation. The fixing kit supplied with the product may not be suitable for all ceilings.

If any fixing screws or included hardware are deemed not sufficient for a safe installation then please consult a professional or your local hardware store.

Hazard limitation

When routing cables take advantage of any built in cable management features that the product might provide and ensure that all cables are tidy and secure. Check to see that any moving aspect of the product can do so unhindered by any cabling. Some products have moving parts and the potential to cause injury through the crushing or trapping of fingers or other body parts. Particular attention to the nature of moving parts is required especially when assembling installing and adjusting during set up. Immediately after installation double-check that the work done is safe and secure. Double-check all necessary fixings are present and are of ample tightness.

It is recommended that periodic inspections of the product and its fixing points are made as frequently as possible (no more than 6 months apart) to ensure that safety is maintained.

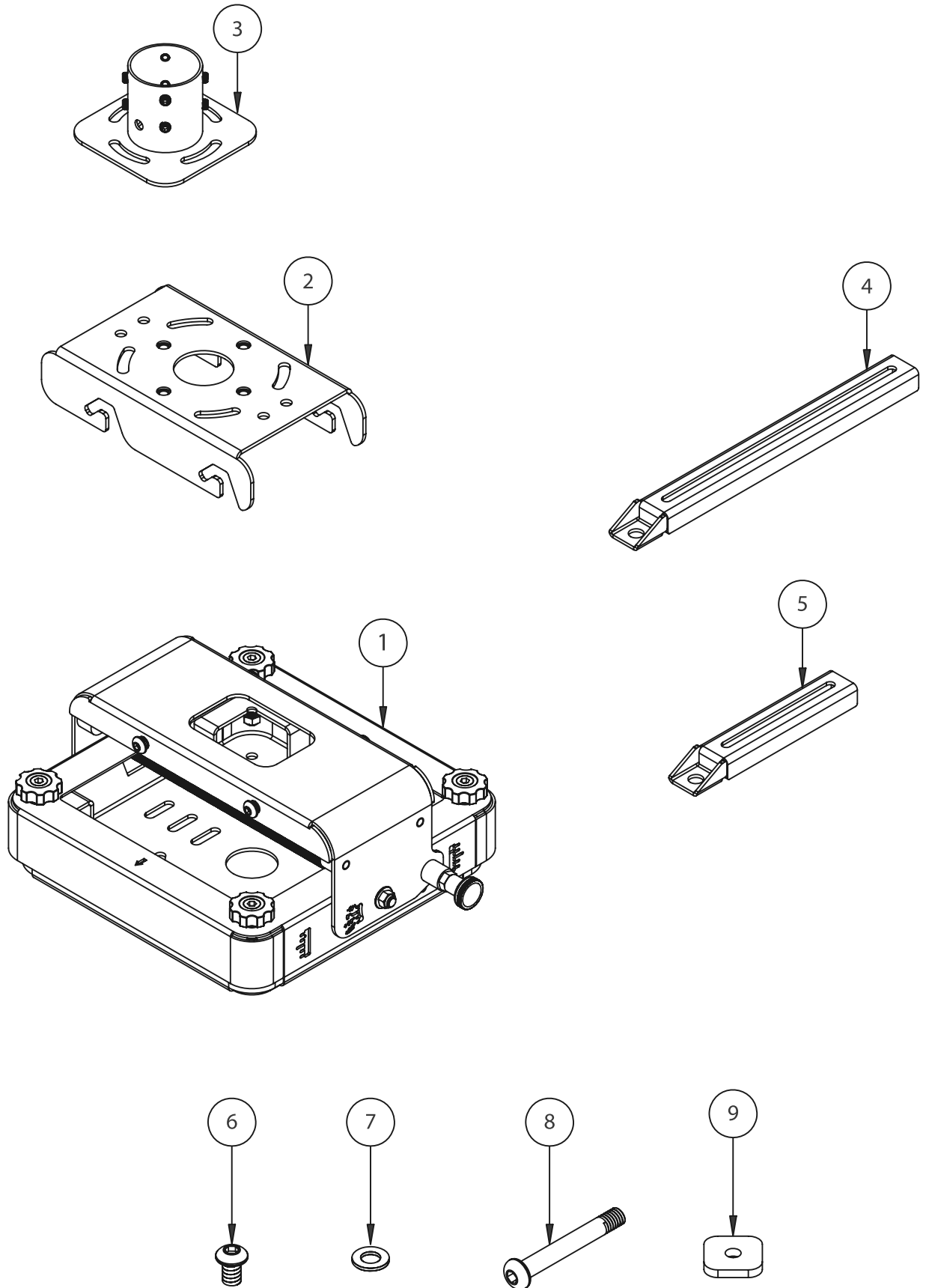
If in doubt consult a professional AV installer or other suitably qualified person.

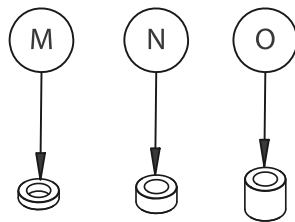
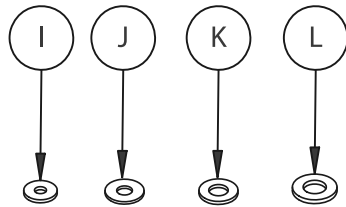
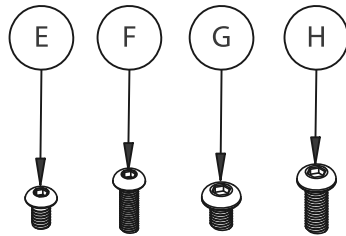
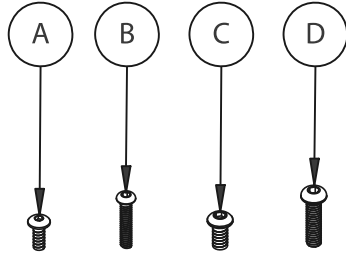
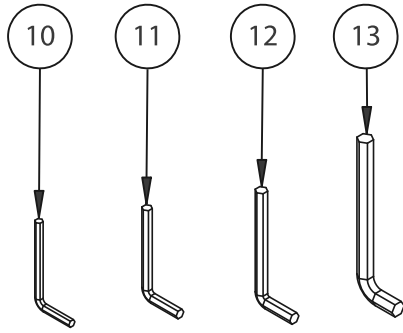
- CN B-Tech AV Mounts 建议本产品由专业AV安装人员或其他合格人员安装。 B-Tech AV Mounts 及它的代理商、经销商不由于不恰当的安装而造成的损失或伤害负责。 本产品必须安装在合适的架构上，并仅用于不超过所标示的最大承重。
- CS Společnost B-Tech AV Mounts doporučuje provést instalaci tohoto produktu instalátora AV či jinak způsobilé osoby. Společnost B-Tech AV Mounts, její distributoři a prodejci nenesou prostřednictvím odborného odpovědnost za škody nebo zranění způsobená nevhodnou instalací. Tento výrobek je nutno umístit do vhodné konstrukce a používat jen po uvedené maximální výšce.
- DE B-Tech AV Mounts empfiehlt, dass dieses Produkt durch einen qualifizierten AV-Techniker oder eine andere Person mit geeigneter Qualifikation installiert wird. B-Tech AV Mounts, ihre Distributoren und Händler können nicht für durch fehlerhafte Montage verursachte Beschädigung oder Verletzung haftbar bzw. verantwortlich gemacht werden. Dieses Produkt muss auf einen geeigneten Untergrund montiert werden und darf nur bis zum angegebenen Höchstgewicht verwendet werden.
- ES B-Tech AV Mounts recomienda que un instalador de audio y video profesional u otra persona debidamente cualificada instalen este producto. B-Tech AV Mounts, sus distribuidores y concesionarios no se hacen cargo ni se responsabilizan de ningún daño o lesión provocados por una instalación inapropiada. Este producto se debe montar en una estructura adecuada y se debe utilizar soportando solamente hasta el peso máximo indicado.
- FR B-Tech AV Mounts recommande de confier l'installation de ce produit à un installateur AV professionnel ou à une autre personne dûment qualifiée. B-Tech AV Mounts, ses distributeurs et ses revendeurs ne sauraient être tenus responsables de tout dégât ou de toute blessure résultant d'une installation incorrecte. Ce produit doit être monté sur un support approprié et utilisé dans la limite du poids maximum indiqué.
- IT B-Tech AV Mounts consiglia di affidare l'installazione di questo prodotto a un installatore specializzato o ad altra persona adeguatamente qualificata. B-Tech AV Mounts, i suoi distributori e rivenditori non accettano alcuna responsabilità nei riguardi di eventuali danni o infortuni causati da un'errata installazione. Questo prodotto deve essere fissato a una struttura idonea e utilizzato unicamente sino al peso massimo indicato.
- JP B-Tech AV Mounts はAV設置の専門家または適合した知識を備えた人が製品を設置することを推奨します。 B-Tech AV Mounts と販売店、取引先はこうした安全指針に従わない場合に随伴される製品の損傷や傷害に対する責任を負いません。場合によって製品が設置されるに適していないところもあるので設置位置に特別な注意を傾けてください。この製品の位置に注意を傾けて設置に適していない壁があるかを確認してください。指定した重さ制限を超過するAV装備を装着しないでください。
- KR B-Tech AV Mounts 는 AV 설치 전문가 또는 적합한 지식을 갖춘 사람이 제품을 설치하도록 권장합니다. B-Tech AV Mounts 와 판매점, 거래처는 이러한 안전 지침을 따르지 않을 경우에 수반될 제품의 손상이나 상해에 대한 책임을 지지 않습니다. 경우에 따라 제품이 설치되기에 적합하지 않은 곳들도 있으므로 설치 위치에 특별한 주의를 기울여 주시기 바랍니다. 제품의 설치 위치에 주의를 기울여 확인하십시오. 지정된 무게 제한을 초과하는 AV 장비를 장착하지 마십시오.
- NL B-Tech AV Mounts adviseert om dit product te laten installeren door een professionele AV-installateur of andere hiervoor gekwalificeerde persoon. B-Tech AV Mounts, haar distributeurs en dealers zijn niet aansprakelijk of verantwoordelijk voor schade of letsel die is veroorzaakt door onoordeelkundige installatie. Dit product moet worden gemonteerd aan een geschikte constructie, waarbij het aangegeven maximum gewicht niet mag worden overschreden.
- PL Firma B-Tech AV Mounts zaleca, aby ten produkt był instalowany przez profesjonalnych instalatorów AV lub inny odpowiednio przeszkolony personel. Firma B-Tech AV Mounts, jej dystrybutorzy i dealerzy nie ponoszą odpowiedzialności za uszkodzenia lub obrażenia ciała powstałe w wyniku nieprawidłowej instalacji. Niniejszy produkt musi być amontowany na odpowiedniej powierzchni, a podczas użytkowania nie wolno przekraczać podanego maksymalnego obciążenia.
- PT A B-Tech AV Mounts recomenda que a instalação deste produto seja efectuada por um instalador de AV instalador de AV profissional ou outra pessoa devidamente habilitada. A B-Tech AV Mounts e os seus distribuidores e concessionários não são responsáveis por danos ou lesões causados por uma instalação incorrecta. Este produto tem de ser montado numa estrutura adequada e utilizado somente até ao peso máximo indicado.
- RU Компания B-Tech AV Mounts рекомендует, чтобы установка данного изделия производилась инженером по установке аудио-видеотехники или другим специалистом с соответствующей квалификацией. Компания B-Tech AV Mounts ее дистрибьюторы и дилеры не несут ответственности за повреждения или травмы, полученные в результате неправильной установки.

توصي بي- تك للتجارة الدولية المحدودة بأن شخص محترف في تركيب ال AV او شخص مؤهل تأهيلا مناسباً لتركيب هذا المنتج. بي- تك للتجارة الدولية، موزعيها والتجار ليست عرضة أو مسؤولة عن الأضرار أو الإصابات الناجمة عن تركيب غير سليم، والاستخدام غير السليم أو عدم مراعاة هذه التعليمات للسلامة. يجب أن يتم تركيب هذا المنتج في بنية مناسبة ويجب استخدامه فقط لدعم الحد الأقصى للوزن المشار إليه.

BT893 PARTS LIST

PLEASE KEEP THIS FOR FUTURE REFERENCE

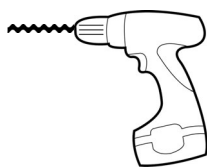




ITEM	PART NAME	QTY
1	PROJECTOR MOUNT	1
2	CEILING MOUNT	1
3	POLE MOUNT	1
4	LONG LEG	4
5	SHORT LEG	4
6	M8 x 12mm SCREW	16
7	M8 WASHER	4
8	M8 x 60mm SCREW	1
9	SQUARE NUT	12
10	4mm HEX KEY	1
11	5mm HEX KEY	1
12	6mm HEX KEY	1
13	8mm HEX KEY	1
INTERFACE KIT		
A	M6 x 16mm SCREW	6
B	M6 x 30mm SCREW	6
C	M8 x 16mm SCREW	6
D	M8 x 30mm SCREW	6
E	M10 x 16mm SCREW	6
F	M10 x 30mm SCREW	6
G	M12 x 16mm SCREW	6
H	M12 x 30mm SCREW	6
I	M6 WASHER	6
J	M8 WASHER	6
K	M10 WASHER	6
L	M12 WASHER	6
M	M12 x 5mm SPACER	6
N	M12 x 10mm SPACER	6
O	M12 x 20mm SPACER	6

INSTALLATION TOOLS REQUIRED

Drill



Pencil



Note: Ceiling fixings not supplied

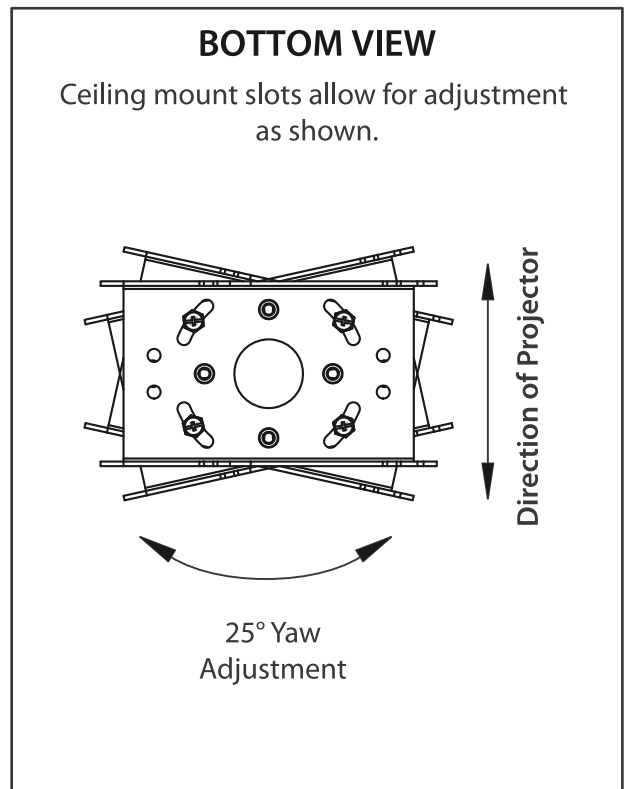
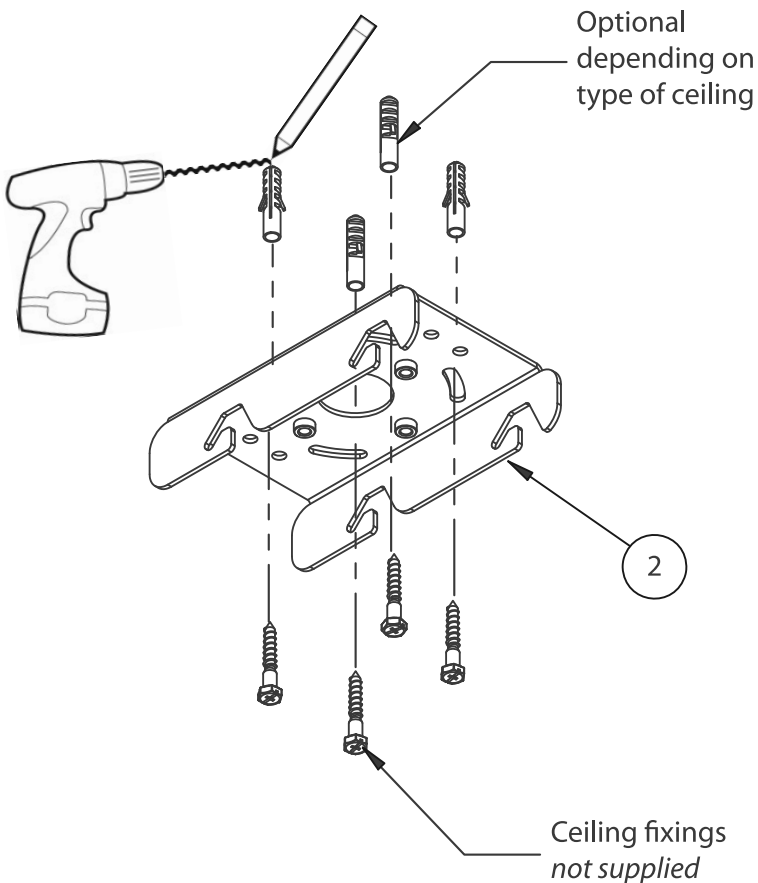
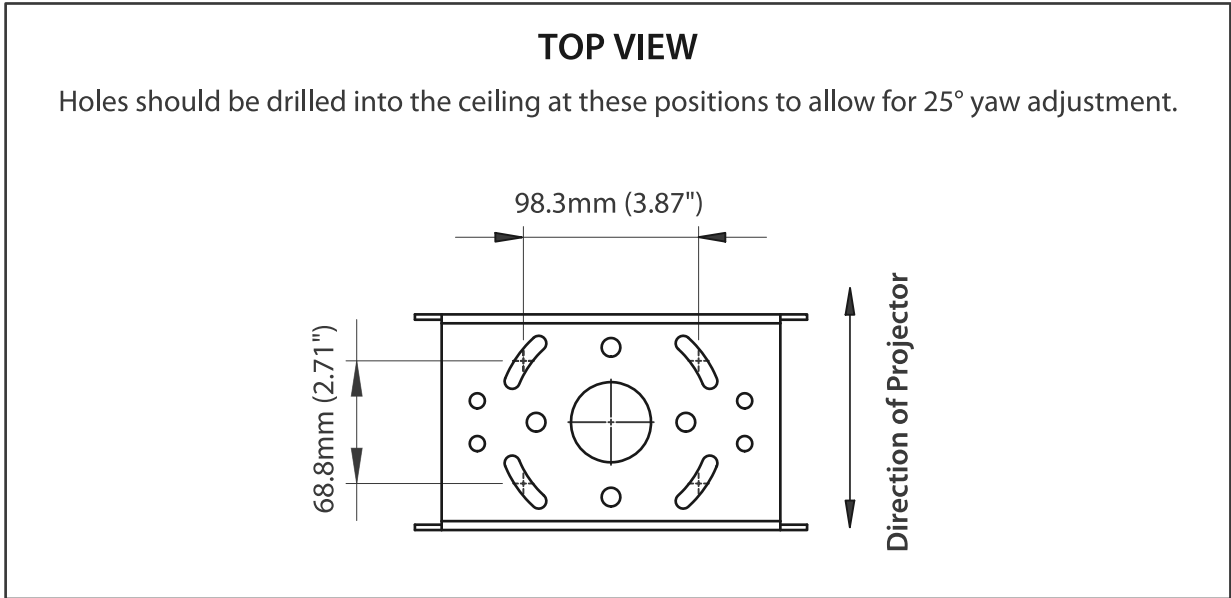
Suitable for loads up to 70kg (154lbs)

INSTALLATION INSTRUCTIONS

1. FIX CEILING MOUNT IN PLACE

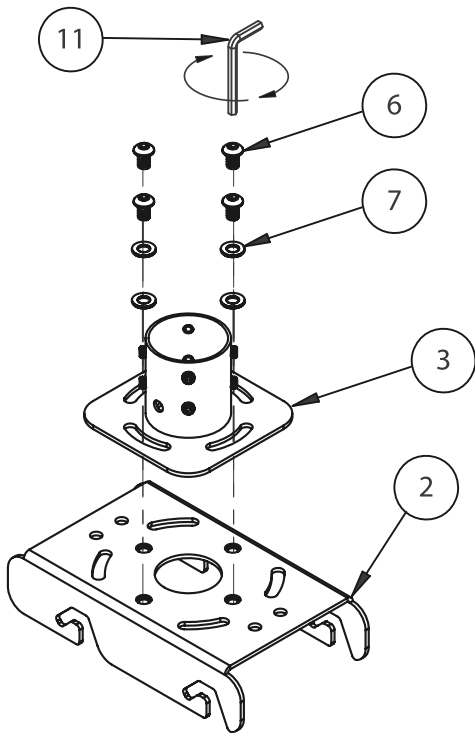
A. DIRECTLY TO CEILING

Fix *item 2* directly to the ceiling using suitable fixings (*not supplied*).

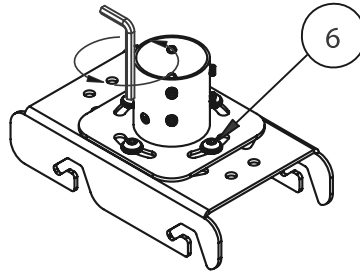


B. USING A POLE MOUNT.

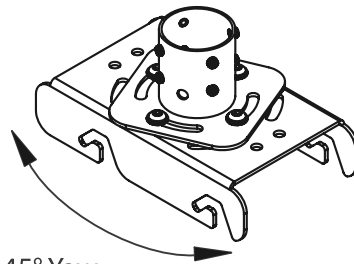
i. Fix *item 2* to *item 3* using *items 6 & 7*.



To use yaw adjustment on the pole mount, loosen 4 x *item 6* by 1 turn. Ensure screws are tightened fully after adjustment has been made.



WARNING!
Do not completely unscrew *item 6*. Mounting hardware is to be loosened only enough to allow for necessary movement.



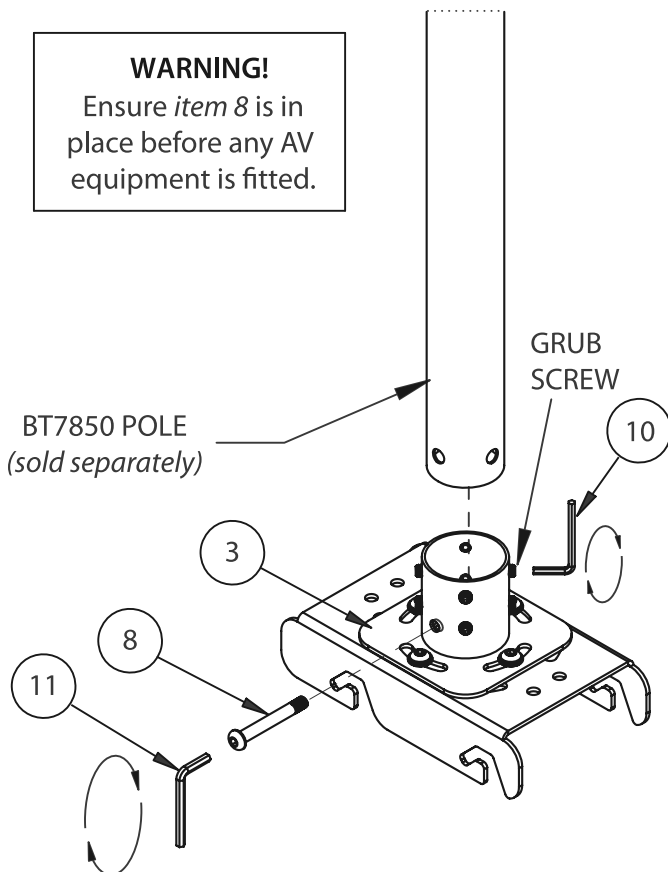
45° Yaw Adjustment

ii. Insert a BT7850 Ø50mm pole (*sold separately*) into *item 3* and secure in place with *item 8*.

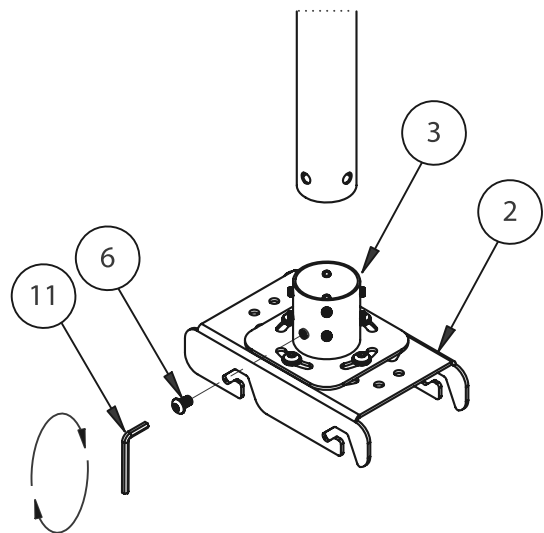
iii. Tighten grub screws using *item 10*.

WARNING!

Ensure *item 8* is in place before any AV equipment is fitted.



NOTE: *Item 8* can be replaced with *item 6* to prevent cables being obstructed.



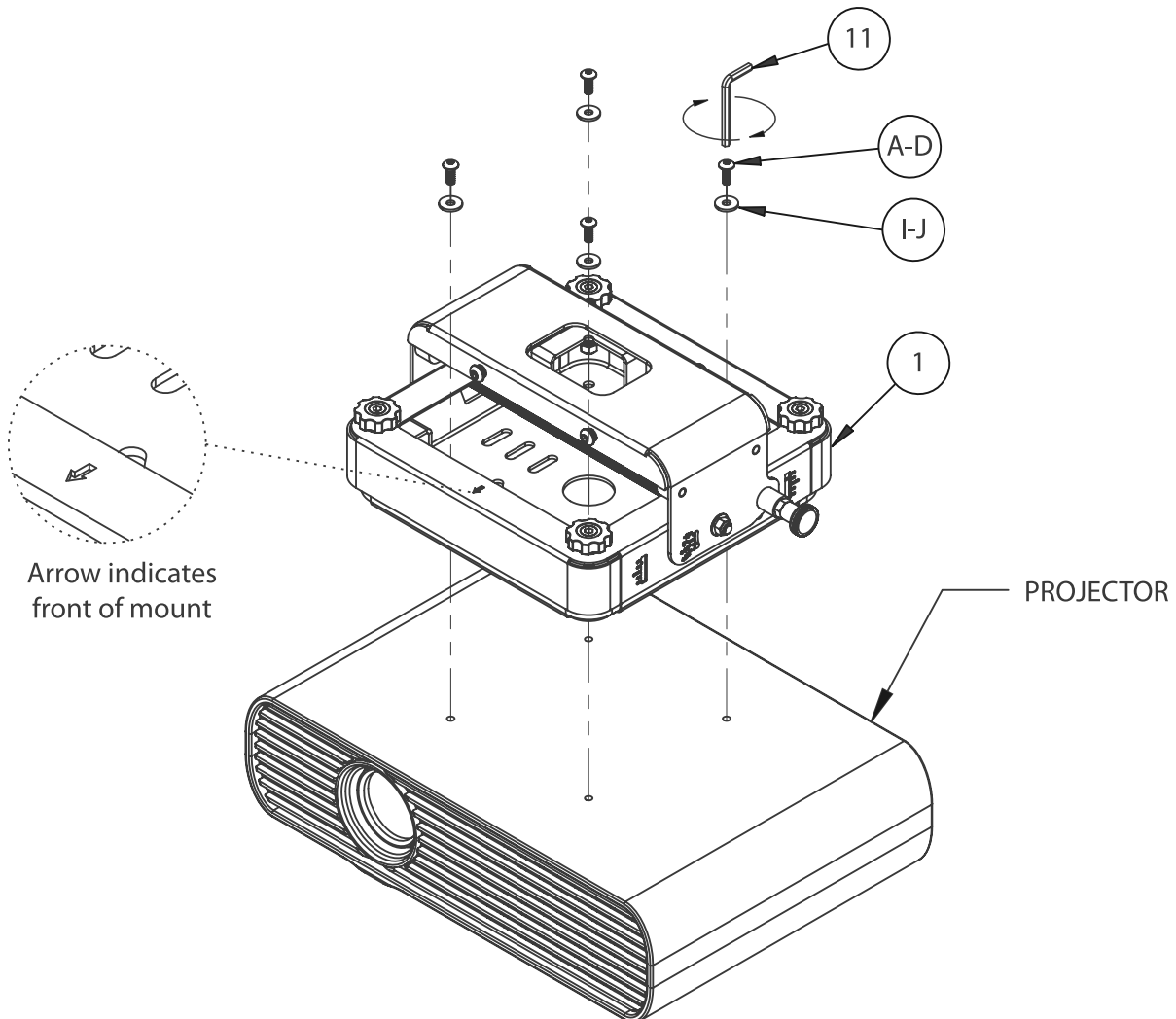
WARNING!

Ensure *item 6* is in place before any AV equipment is fitted.

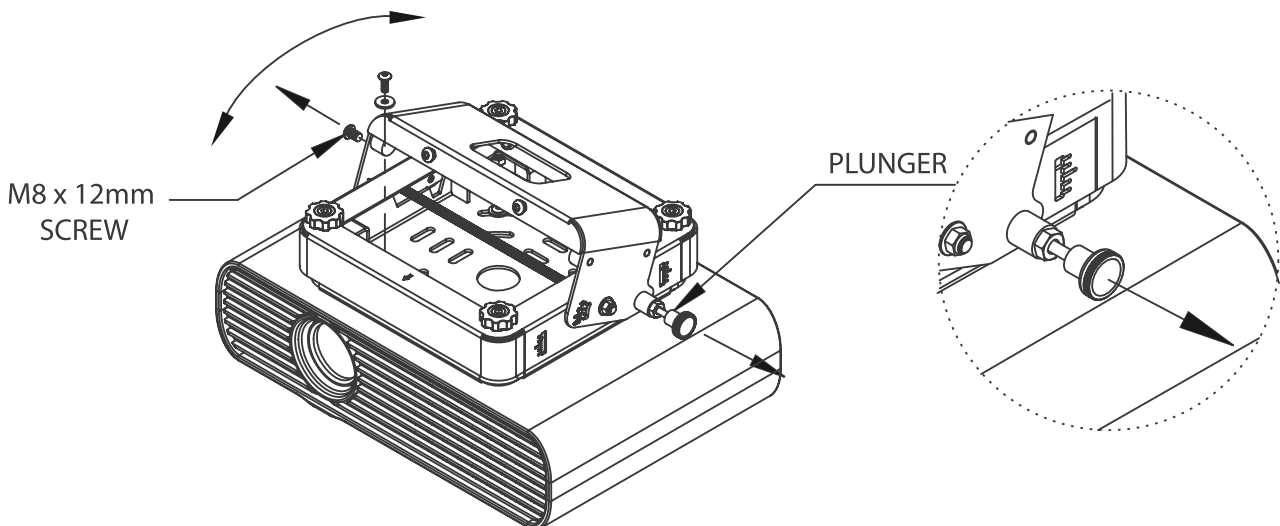
2. FIX CEILING MOUNT IN PLACE

A. WITHOUT LEGS (up to 200 x 200mm fixing centres).

- i. Attach *item 1* directly to the projector using *items A - D & I - J* with *items 10 - 13*.
- ii. Fix mount by using suitable holes and / or slots on the bottom of the projector mount.



Note: The tilt adjustment feature can be used to help access fixing holes. Remove the M8 x 12mm screw as shown and pull the plunger to change tilt adjustment.

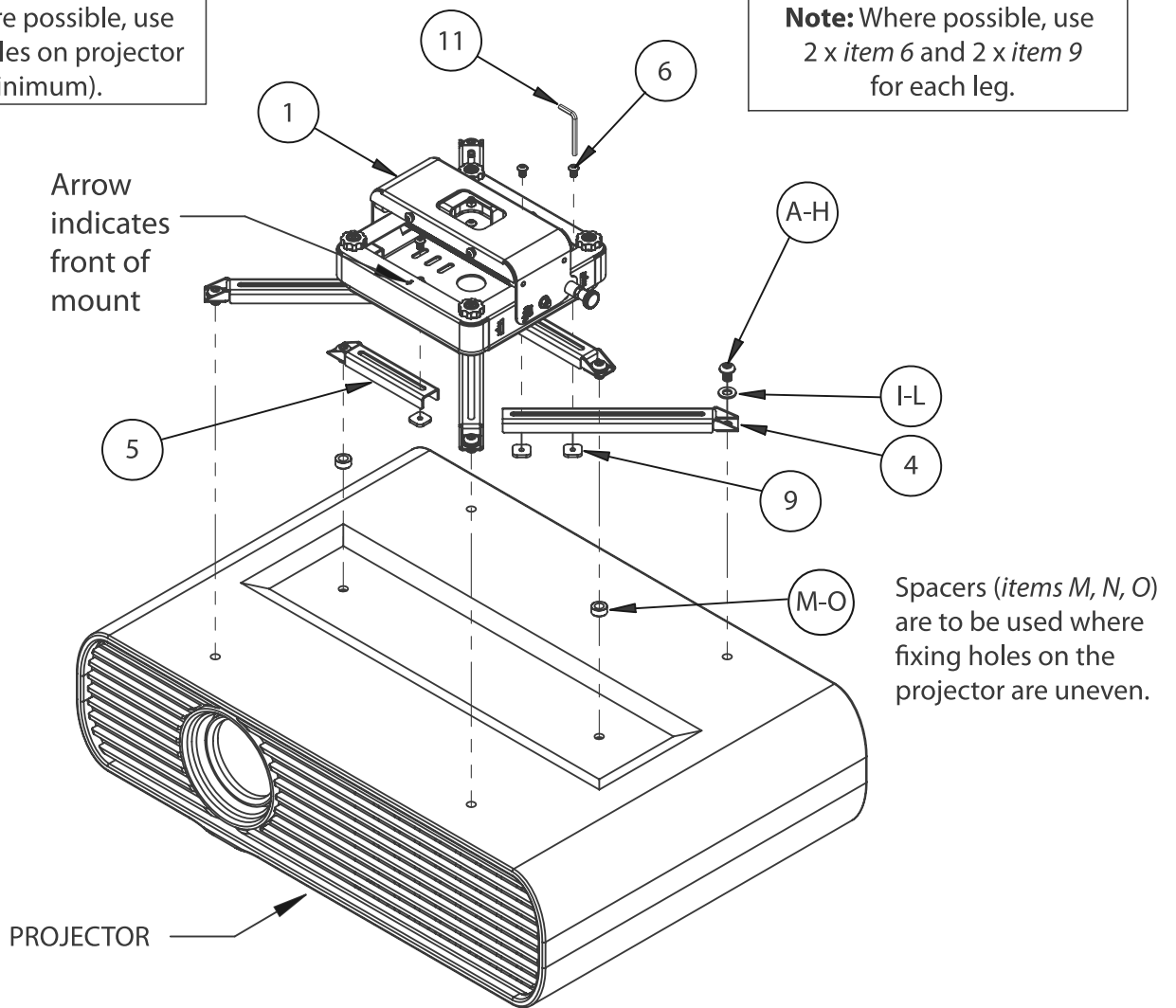


B. USING LEGS

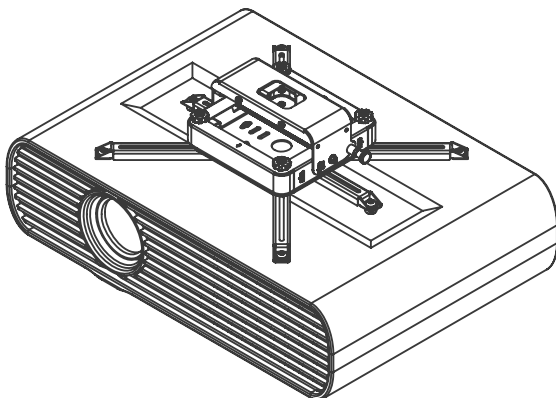
- i. Attach *items 4 & 5* to *item 1* using *items 6 & 9*.
- ii. Fix *items 4 & 5* to the projector using *items A - O*.

Note: Where possible, use all fixing holes on projector (4 minimum).

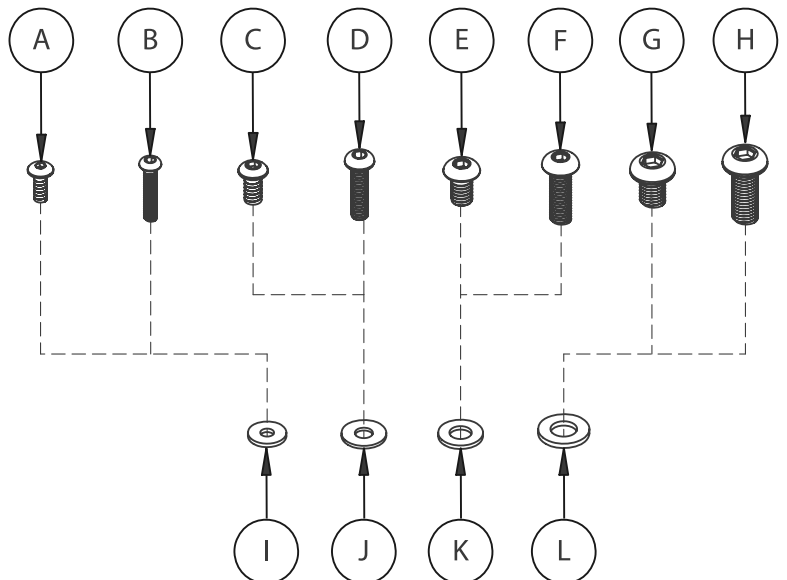
Note: Where possible, use 2 x *item 6* and 2 x *item 9* for each leg.



Projector Mount attached to projector using 4 long legs and 2 short legs.



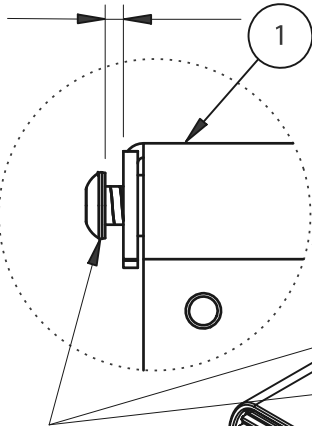
INTERFACE SCREWS



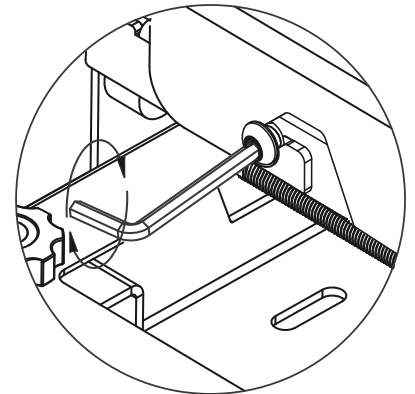
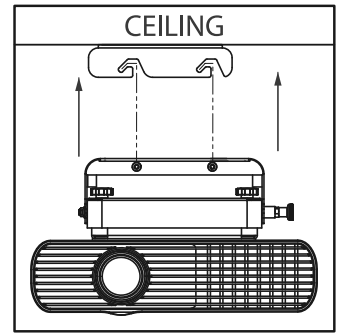
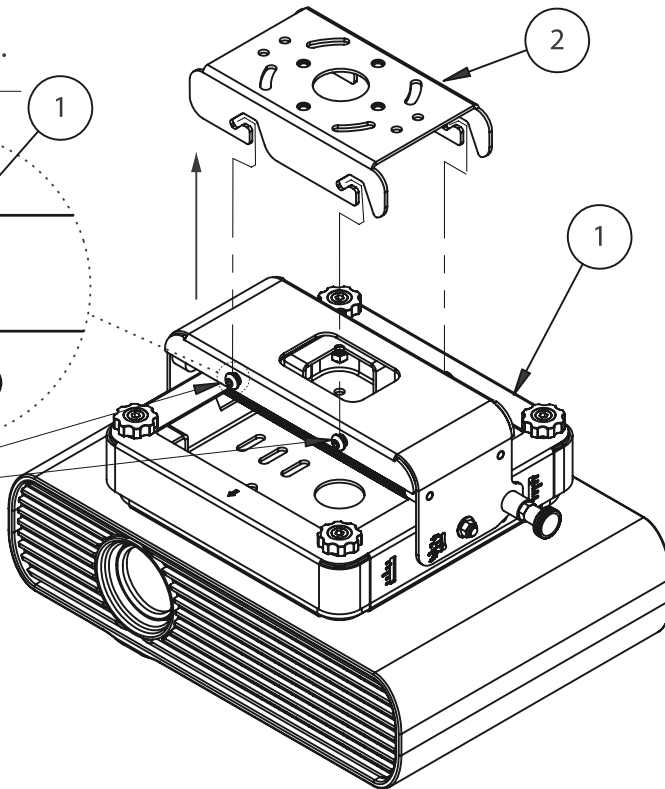
3. HOOK PROJECTOR MOUNT ONTO CEILING MOUNT

- i. Use the 4x M8 x 12mm screws to hook *item 1* onto *item 2*.
- ii. Once hooked on, fully tighten all 4 screws.

Use gap to hook onto *item 2*.



M8 x 12mm
SCREW
(**Important:**
Do not remove
these screws).



IMPORTANT

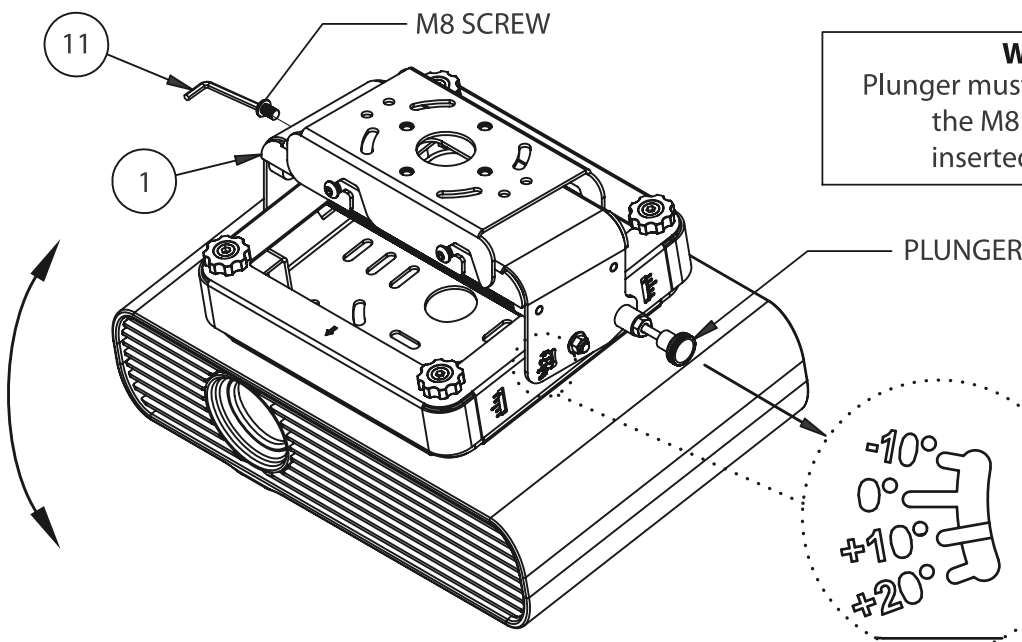
All 4 M8 x 12mm screws must be fully tightened once hooked on.

4. SET ADJUSTMENTS

A. Set main tilt angle adjustment (-10° / +20°).

- i. Remove the M8 screw on the side of *item 1*.
- ii. Hold the projector steady, pull the plunger out to disengage and change the tilt angle.
- iii. When desired tilt is reached, ensure plunger is fully engaged and re-insert the M8 screw.

Note: An +/-5° additional tilt is available when the micro-adjustment is used.



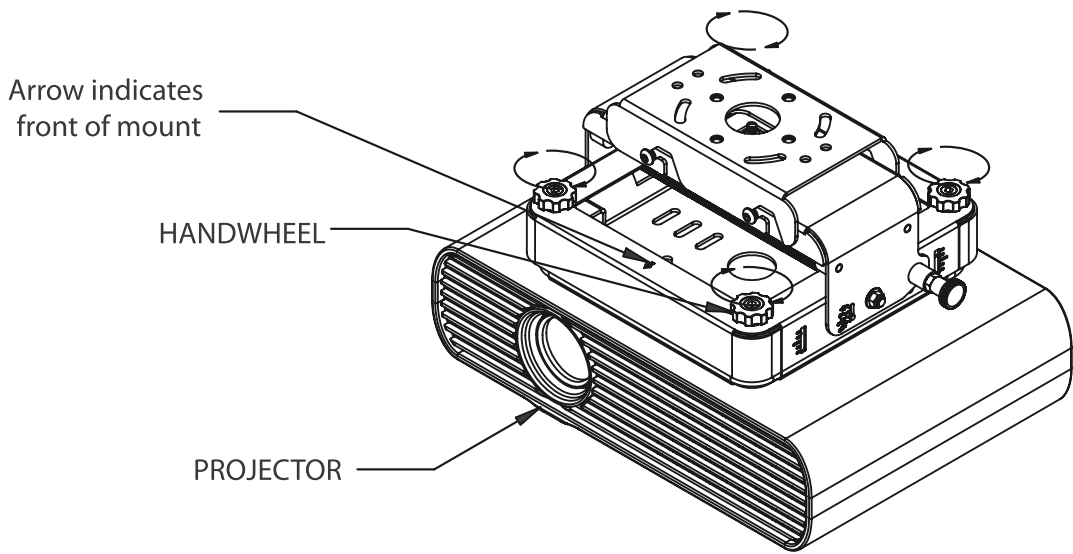
WARNING!

Plunger must be re-engaged and the M8 screw must be inserted after tilt is set.

Note: Main tilt angle guidelines are located on the side of the projector mount.

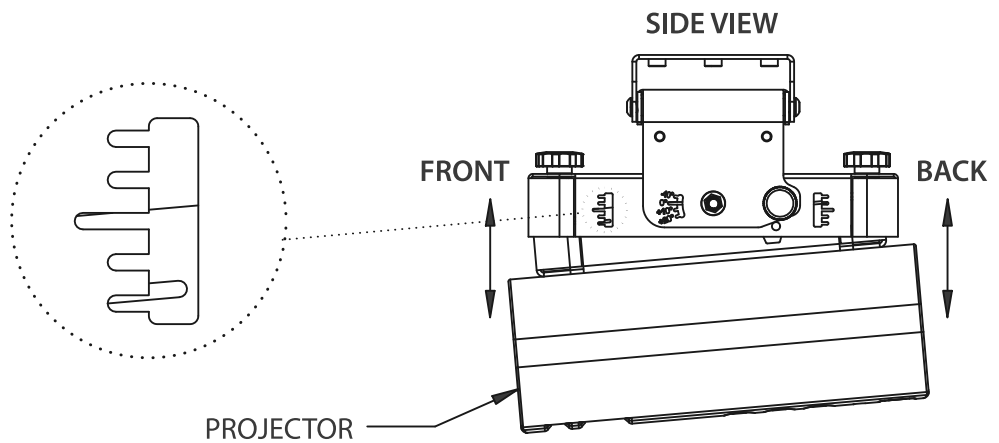
B. Micro-adjust the projector tilt / roll angle (+/-5° tilt / +/-5° roll).

Turn handwheels clockwise to raise, or anti-clockwise to lower projector.

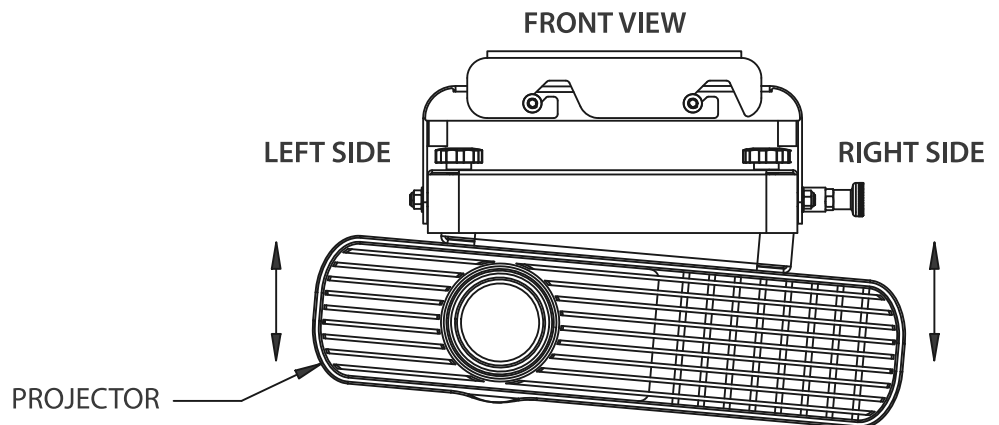


i. Micro-adjust the tilt using either the front 2, or back 2 handwheels simultaneously (+/-5° tilt).

Note:
Micro-adjustment
tilt / roll guidelines
are located on the
sides of the projector
mount.



ii. Micro-adjust the roll using either the left 2, or right 2 handwheels simultaneously (+/-5° roll).



WARNING!

B-Tech recommends that you do not use yaw adjustment when the projector is mounted.
This should be done before the projector is attached.

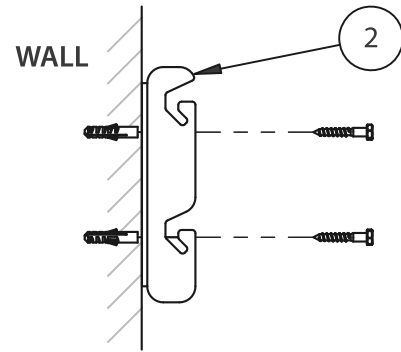
PORTRAIT AND VERTICAL PROJECTOR MOUNTING

1. FIX CEILING MOUNT IN PLACE

A. Directly to wall

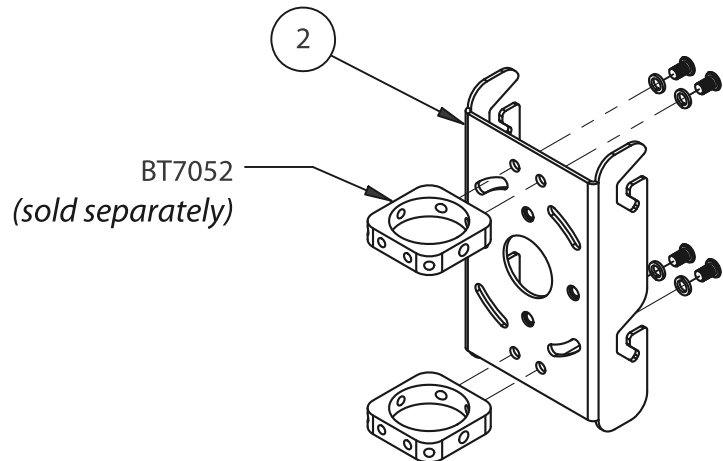
Fix *item 2* directly to the wall* using the same process as ceiling mounting.

*Wall fixings not supplied.

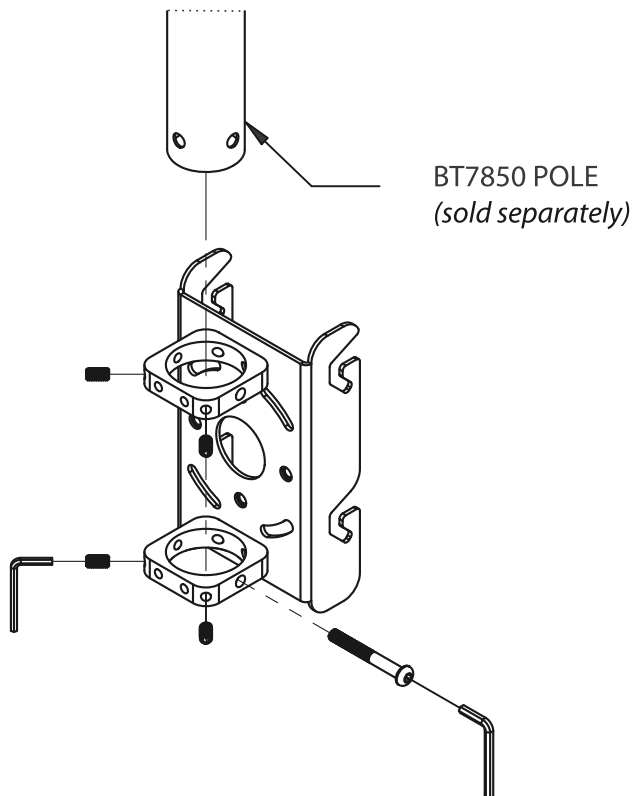


B. To a BT7850 Ø50mm pole

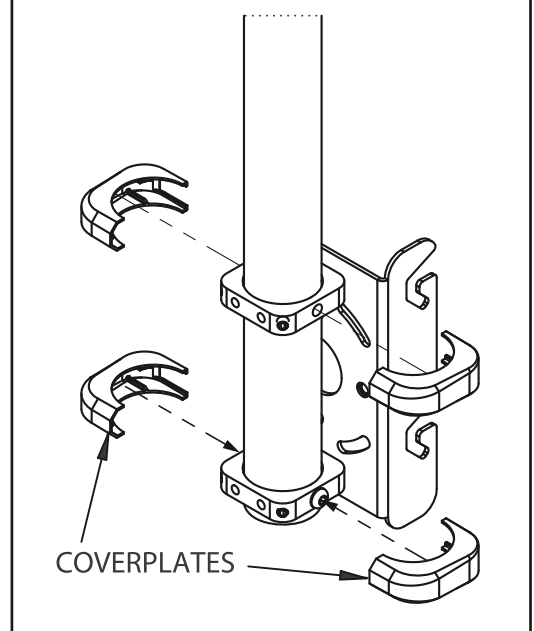
i. Fix 2 x BT7052 collars (sold separately) to *item 2* using the fixings included with the collars.



ii. Insert a BT7850 Ø50mm pole (sold separately) into the collars and secure in place using fixings included with the collars.



iii. Attach coverplates to the collars.

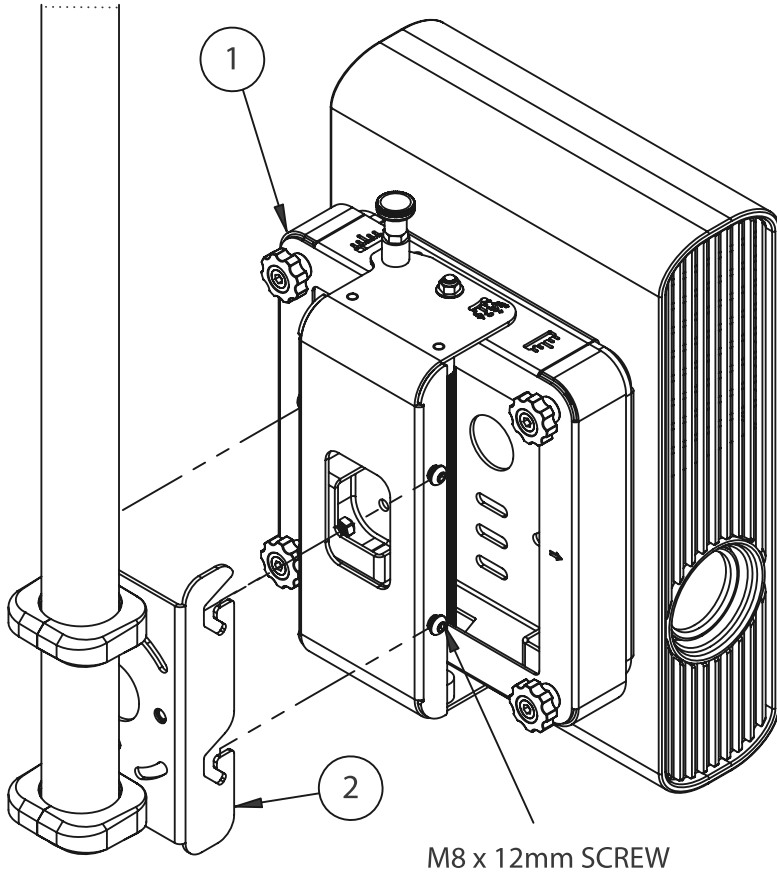


2. ATTACH PROJECTOR MOUNT TO PROJECTOR

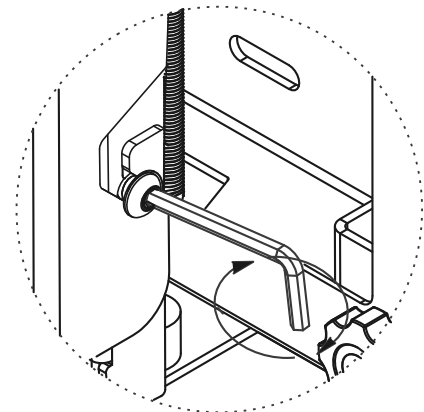
Attach projector mount to projector using the same process as standard orientation.

3. HOOK PROJECTOR MOUNT ONTO CEILING MOUNT

- Hook the 4x M8 x 12mm screws (attached to the projector mount) into the 4 hook-in slots on *item 2*.
- Fully tighten all 4 screws once hooked in.

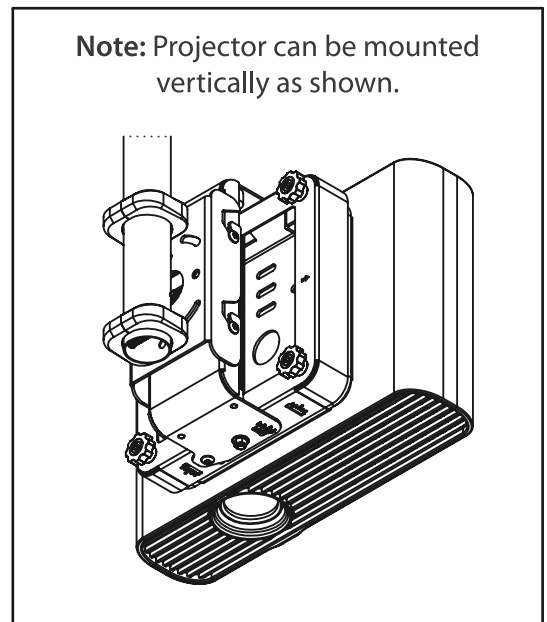
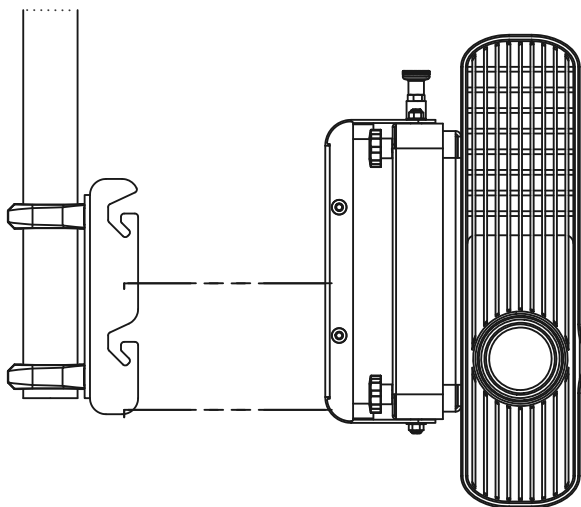


WARNING!
All 4 M8 x 12mm screws must not be removed.



IMPORTANT
All 4 M8 x 12mm screws must be fully tightened once hooked on.

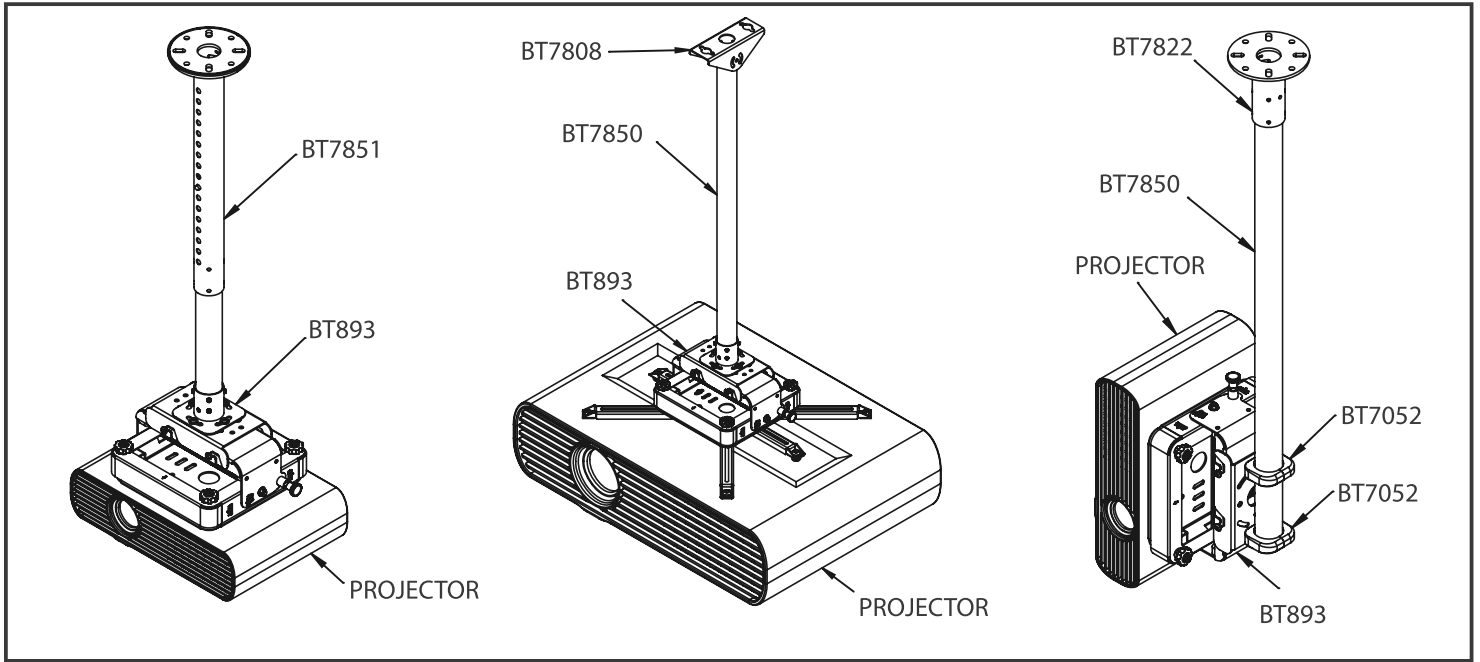
Note: Projector can be mounted vertically as shown.



4. SET ADJUSTMENTS

Set adjustments using the same process as standard orientation.

TYPICAL POLE INSTALLATIONS

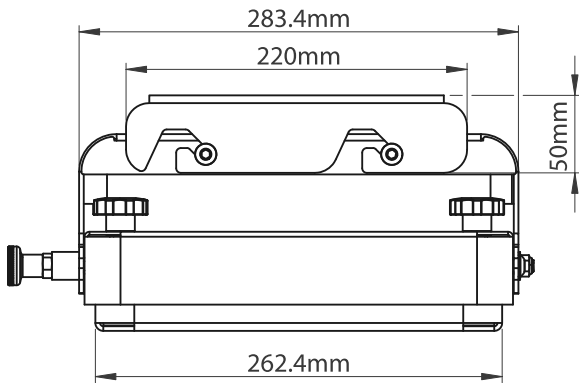


PRODUCT DIMENSIONS

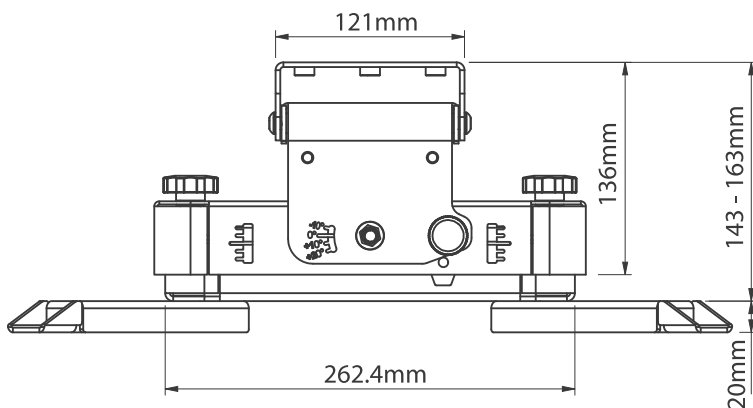
BT893 DIMENSIONS

PLEASE KEEP THIS FOR FUTURE REFERENCE

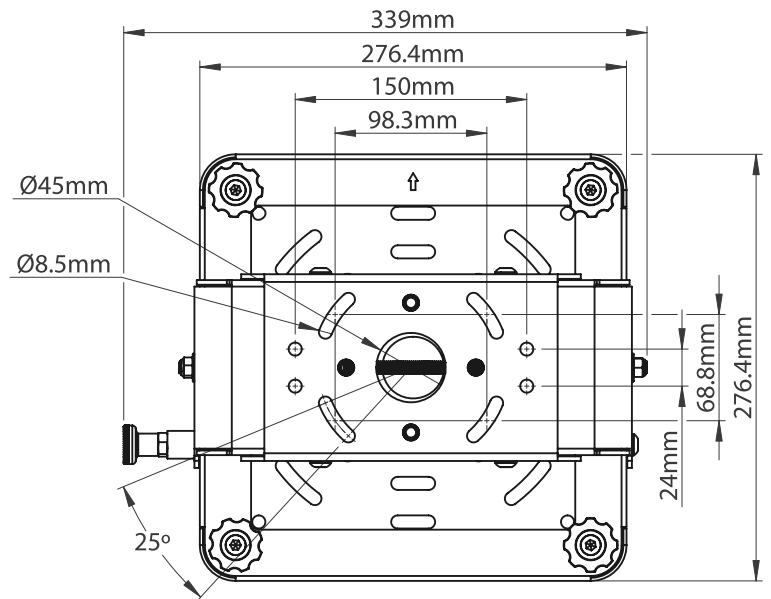
FRONT VIEW



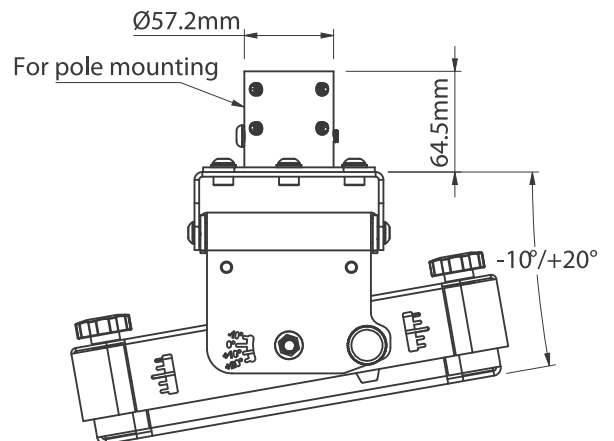
SIDE VIEW (WITH LEGS)



TOP VIEW

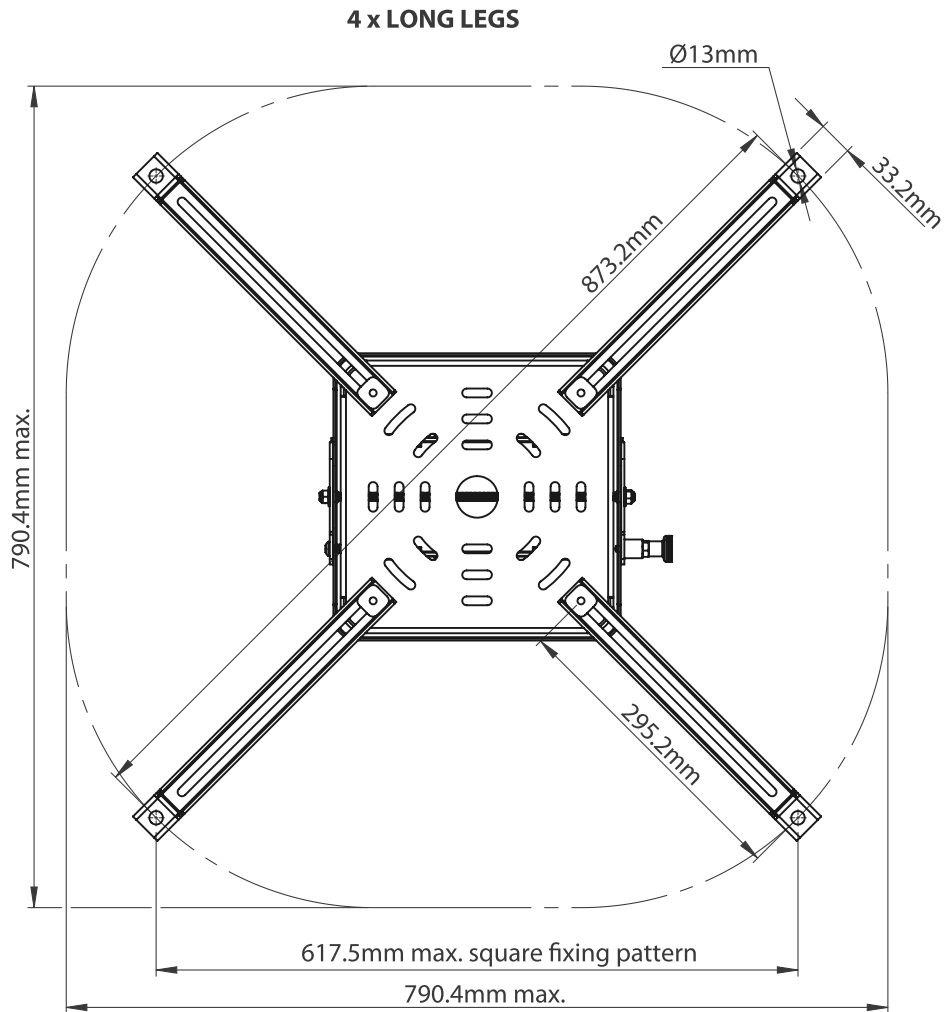
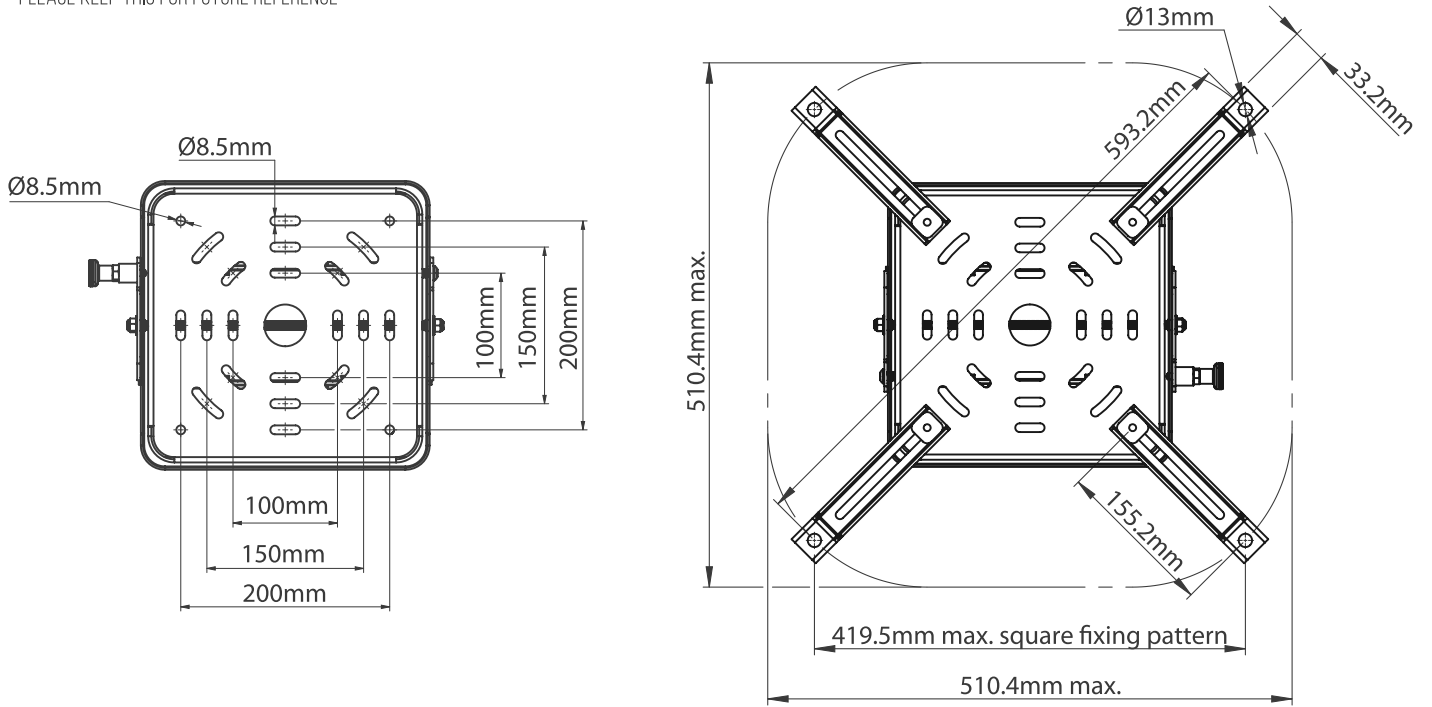


SIDE VIEW (WITH POLE ADAPTOR)



BT893 DIMENSIONS

PLEASE KEEP THIS FOR FUTURE REFERENCE



THESE INSTRUCTIONS ARE INTENDED AS A GUIDE ONLY AND B-TECH ACCEPTS NO LIABILITY FOR THE ACCURACY OF THE INFORMATION CONTAINED IN THIS DOCUMENT.



CONTACT:

info@btechavmounts.com

©2021 B-Tech International Design and Manufacturing Ltd. All rights reserved.

B-Tech AV Mounts is a division of B-Tech International Design and Manufacturing Ltd.

B-Tech AV Mounts and the B-Tech logo are registered trade marks.

All other brands and product names are trademarks of their respective owners.

Photographs are for illustrative purposes only. E&OE.

AMA-BT893-V1.2-0721-110 MADE IN VIETNAM

